

4

3

DWG NO.

SHT  
1

REV  
A

1

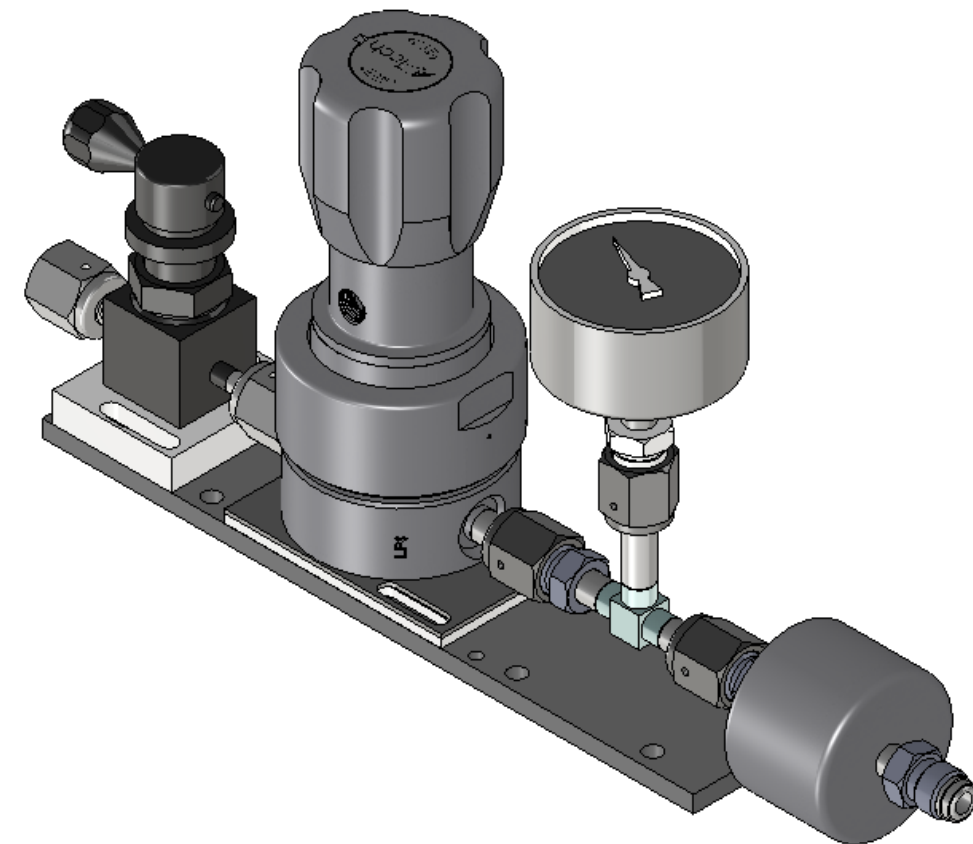
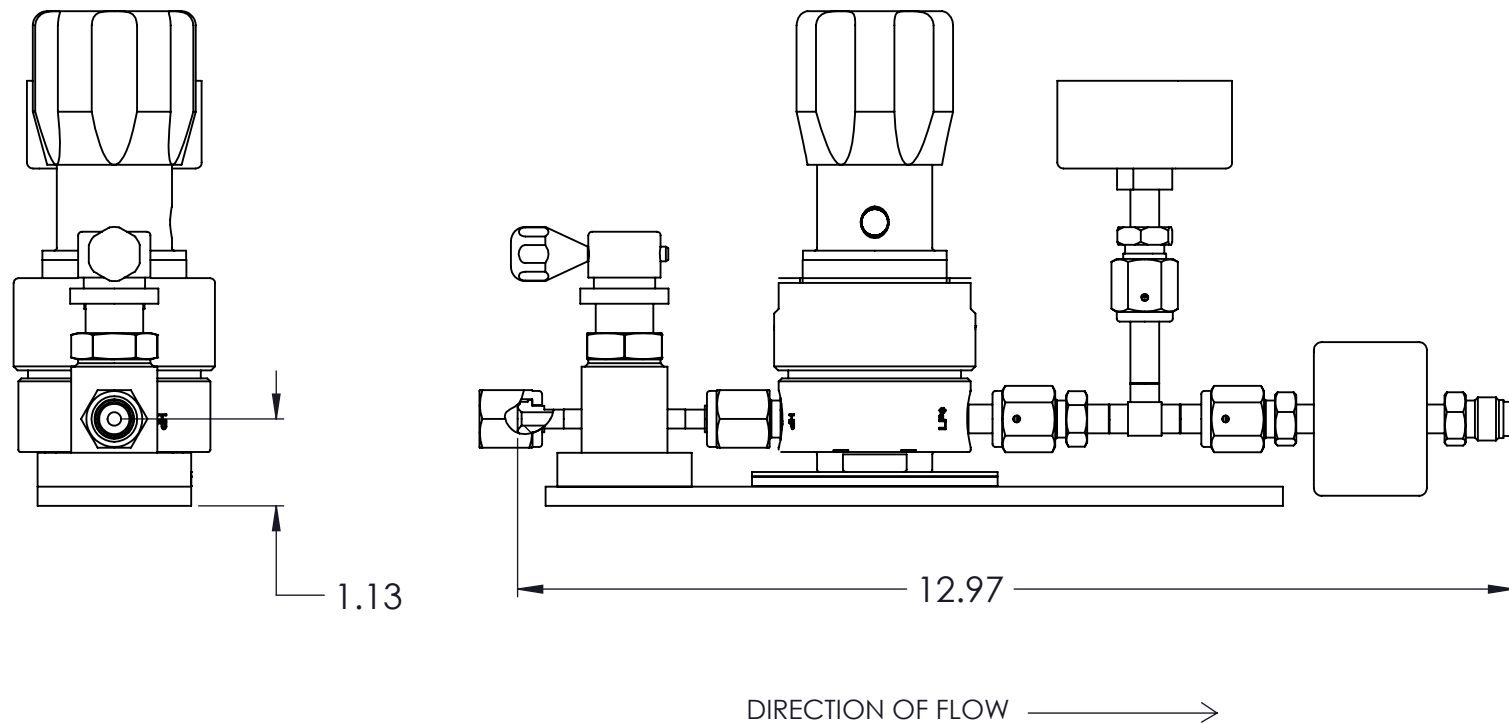
REVISIONS				
ZONE	REV.	DESCRIPTION	DATE	APPROVED
--	A	INITIAL RELEASE	02/26/2011	M.S.

D

C

B

A

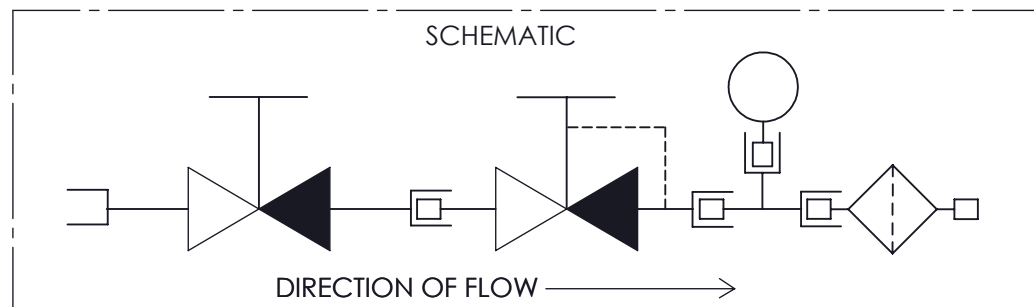


D

C

B

A



NEXT ASSY	APPROVALS	DATE
	DRAWN M.SEROTTA	02/26/2011
	CHECKED ---	---
	ENGINEER ---	---
	APPROVED ---	---

INTERPRET DIMENSIONS AND TOLERANCES PER ASME Y14.5M 1994 STANDARDS.

UNLESS OTHERWISE SPECIFIED ALL DIMENSIONS ARE IN INCHES.

TOLERANCES  
.XX ±.01  
.XXX ±.005  
ANGLES ±.5°

THIRD ANGLE PROJECTION

**SilPac®**  
SANTA CLARA, CALIFORNIA

**ASSY, 4625, 1210 1/4" 3.70**

THIS DOCUMENT CONTAINS CONFIDENTIAL INFORMATION OF SilPac. THIS DOCUMENT AND THE INFORMATION CONTAINED IN IT CANNOT BE COPIED OR DISCLOSED IN WHOLE OR IN PART WITHOUT THE EXPRESS WRITTEN CONSENT OF SilPac, AND MUST BE RETURNED TO SilPac UPON REQUEST.

MATERIAL SEE BOM

FINISH -

SIZE B	DWG NO. SP-GSA-39A-MKT	REV A
SCALE 2:1	DO NOT SCALE DRAWING	Sheet 1 of 1

4

3

2