

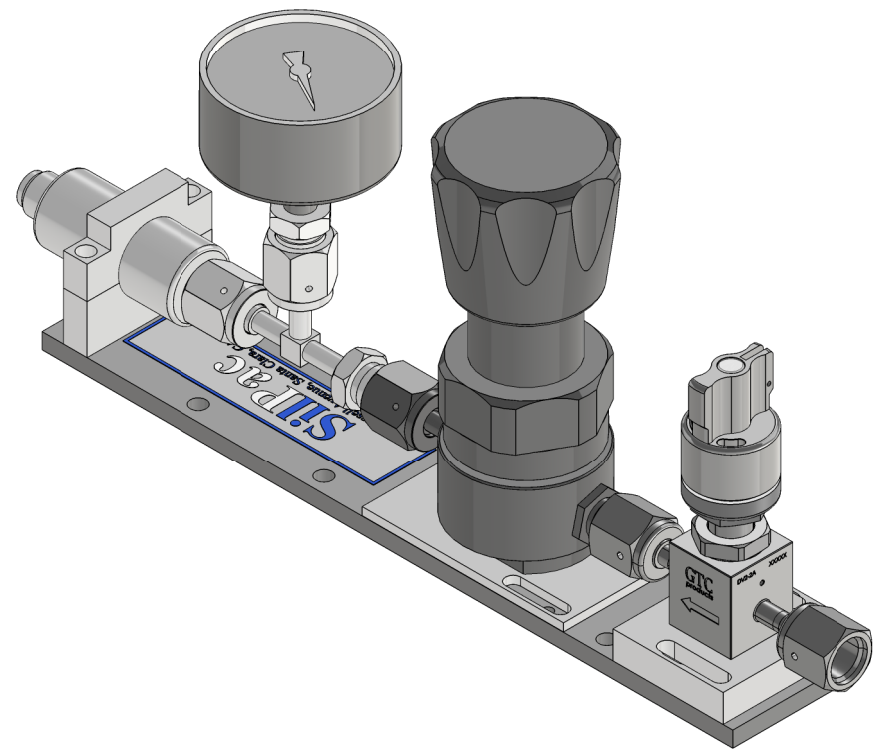
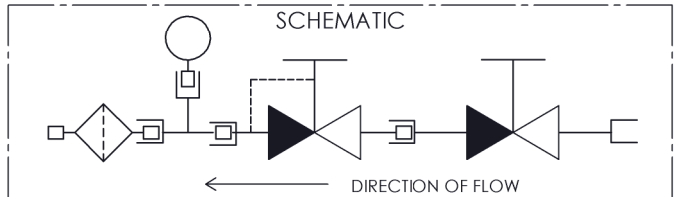
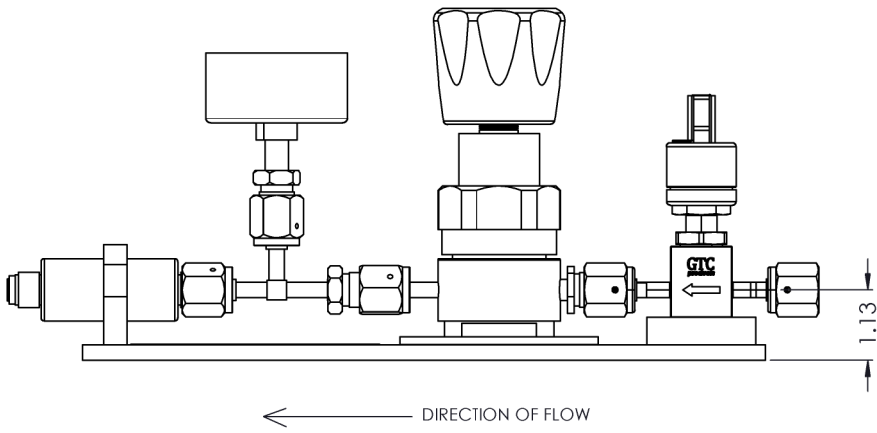
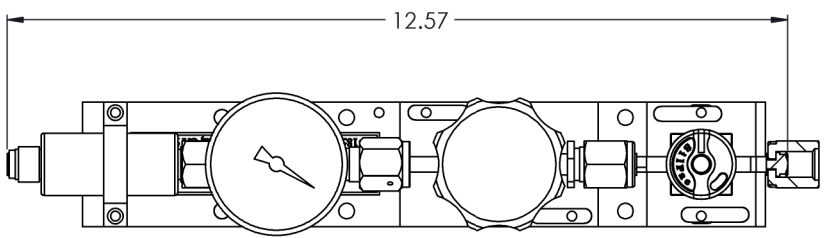
4

3

DWG NO.	SHT	REV
	1	A

1

REVISIONS				
ZONE	REV.	DESCRIPTION	DATE	A <sup>o</sup> PROVED
-	A	INITIAL RELEASE	01/22/2011	M.S.



NEXT ASSY	APPROVALS	DATE	INTERPRET DIMENSIONS AND TOLERANCES PER ASME Y14.5M 1994 STANDARDS. UNLESS OTHERWISE SPECIFIED ALL DIMENSIONS ARE IN INCHES. TOLERANCES SURFACES .XX ±.01 63 ✓ .XXX ±.005 ANGLES ±.5° THIRD ANGLE PROJECTION
DRAWN	M.SEROTTA	01/22/2011	
CHECKED	---	---	
ENGINEER	---	---	
APPROVED	---	---	
THIS DOCUMENT CONTAINS CONFIDENTIAL INFORMATION OF SilPac. THIS DOCUMENT AND THE INFORMATION CONTAINED IN IT CANNOT BE COPIED OR DISCLOSED IN WHOLE OR IN PART WITHOUT THE EXPRESS WRITTEN CONSENT OF SilPac, AND MUST BE RETURNED TO SilPac UPON REQUEST.			MATERIAL SEE BOM FINISH -

 SANTA CLARA, CALIFORNIA		
<b>ASSY, 3625, 64-2642,T2</b>		
SIZE	DWG NO.	REV
B	SP-GSA-02T-MKT	A
SCALE	DO NOT SCALE DRAWING	Sheet 1 of 1

4

3

2